

**JUMO GmbH & Co. KG**

Delivery address: Mackenrodtstraße 14  
36039 Fulda, Germany  
Postal address: 36035 Fulda, Germany  
Phone: +49 661 6003-0  
Fax: +49 661 6003-607  
Email: mail@jumo.net  
Internet: www.jumo.net

**JUMO UK LTD**

JUMO House  
Temple Bank, Riverway  
Harlow, Essex, CM20 2DY, UK  
Phone: +44 1279 63 55 33  
Fax: +44 1279 62 50 29  
Email: sales@jumo.co.uk  
Internet: www.jumo.co.uk

**JUMO Process Control, Inc.**

6724 Joy Road  
East Syracuse, NY 13057, USA  
Phone: +1 315 437 5866  
Fax: +1 315 437 5860  
Email: info.us@jumo.net  
Internet: www.jumousa.com



# JUMO flowTRANS US W02

## Ultrasonic flowmeter for liquids

### Areas of application

- Reverse osmosis
- Desalination of seawater
- Wash water recovery
- Waste water (galvanic, surface treatment)
- Cooling towers

### Special features

- Easy installation
- Corrosion-resistant
- Low-wear
- Easy to clean

### Description

The ultrasonic flowmeter measures the flow, temperature and (optionally) the pressure of conductive and non-conductive liquid media.

It is mounted in pipes made from plastic or metal.



Type 406051/...



**JUMO GmbH & Co. KG**  
 Delivery address: Mackenrodtstraße 14  
 36039 Fulda, Germany  
 Postal address: 36035 Fulda, Germany  
 Phone: +49 661 6003-0  
 Fax: +49 661 6003-607  
 Email: mail@jumo.net  
 Internet: www.jumo.net

**JUMO UK LTD**  
 JUMO House  
 Temple Bank, Riverway  
 Harlow, Essex, CM20 2DY, UK  
 Phone: +44 1279 63 55 33  
 Fax: +44 1279 62 50 29  
 Email: sales@jumo.co.uk  
 Internet: www.jumo.co.uk

**JUMO Process Control, Inc.**  
 6724 Joy Road  
 East Syracuse, NY 13057, USA  
 Phone: +1 315 437 5866  
 Fax: +1 315 437 5860  
 Email: info.us@jumo.net  
 Internet: www.jumousa.com



## Approval marks and certificates



Certificates for approved device versions are available for download on the manufacturer's website.

## Technical data

### Electrical safety

Requirements	DIN EN 61010-1 The device must be equipped with an electrical circuit that meets the requirements for "Limited-energy circuits".
--------------	---

### Electrical data

#### Device with IO-Link

Voltage supply	DC 18 to 30 V SELV, PELV, Class 2
Current consumption	
IO-Link operation	≤ 100 mA
Operation with switching output	≤ 600 mA
Power consumption	
IO-Link operation	≤ 3 W
Operation with switching output	≤ 18 W
Protection rating	DIN EN 61140, Class III (protective low voltage)
Electrical connection	
Connection elements	
Device	M12 plug connector, grounding terminal M2.5
Connecting cable	M12 plug connector
Grounding cable	Ring cable lug M2.5
M12 plug connector	IEC 61076-2-101
Version	4-pole, shielded
Connecting cable	
Conductor cross section	
IO-Link operation	≥ AWG 28
Operation with switching output	≥ AWG 21
Version	4-core, copper, shielded
Line length	≤ 20 m
Temperature resistance	≥ 80 °C
For UL application	
Approved cables <sup>a</sup>	CYJV2/8, CYJV/7, PVVA2/8, PVVA/7
Grounding cable	
Conductor cross section	1.5 mm <sup>2</sup>
Version	1-core, copper
Temperature resistance	≥ 80 °C

<sup>a</sup> The cables must be suitable for the voltage, current and temperature used.

**JUMO GmbH & Co. KG**  
 Delivery address: Mackenrodtstraße 14  
 36039 Fulda, Germany  
 Postal address: 36035 Fulda, Germany  
 Phone: +49 661 6003-0  
 Fax: +49 661 6003-607  
 Email: mail@jumo.net  
 Internet: www.jumo.net

**JUMO UK LTD**  
 JUMO House  
 Temple Bank, Riverway  
 Harlow, Essex, CM20 2DY, UK  
 Phone: +44 1279 63 55 33  
 Fax: +44 1279 62 50 29  
 Email: sales@jumo.co.uk  
 Internet: www.jumo.co.uk

**JUMO Process Control, Inc.**  
 6724 Joy Road  
 East Syracuse, NY 13057, USA  
 Phone: +1 315 437 5866  
 Fax: +1 315 437 5860  
 Email: info.us@jumo.net  
 Internet: www.jumousa.com



**Device with RS485**

Voltage supply	DC 4.5 to 5.5 V or DC 18 to 30 V SELV, PELV, Class 2
Current consumption	≤ 100 mA
Power consumption	≤ 3 W
Protection rating	DIN EN 61140, Class III (protective low voltage)
Electrical connection	
Connection elements	
Device	M12 plug connector, grounding pin M2.5
Connecting cable	M12 plug connector
Grounding cable	Ring cable lug M2.5
M12 plug connector	IEC 61076-2-101
Version	5-pole, shielded
Protection type	IP67
Connecting cable	
Conductor cross section	≥ AWG 28
Version	5-core, copper, shielded
Temperature resistance	≥ 80 °C
For UL application	
Approved cables <sup>a</sup>	CYJV2/8, CYJV/7, PVVA2/8, PVVA/7
Grounding cable	
Conductor cross section	1.5 mm <sup>2</sup>
Version	1-core, copper
Temperature resistance	≥ 80 °C

<sup>a</sup> The cables must be suitable for the voltage, current and temperature used.

**Inputs**

**Measurands**

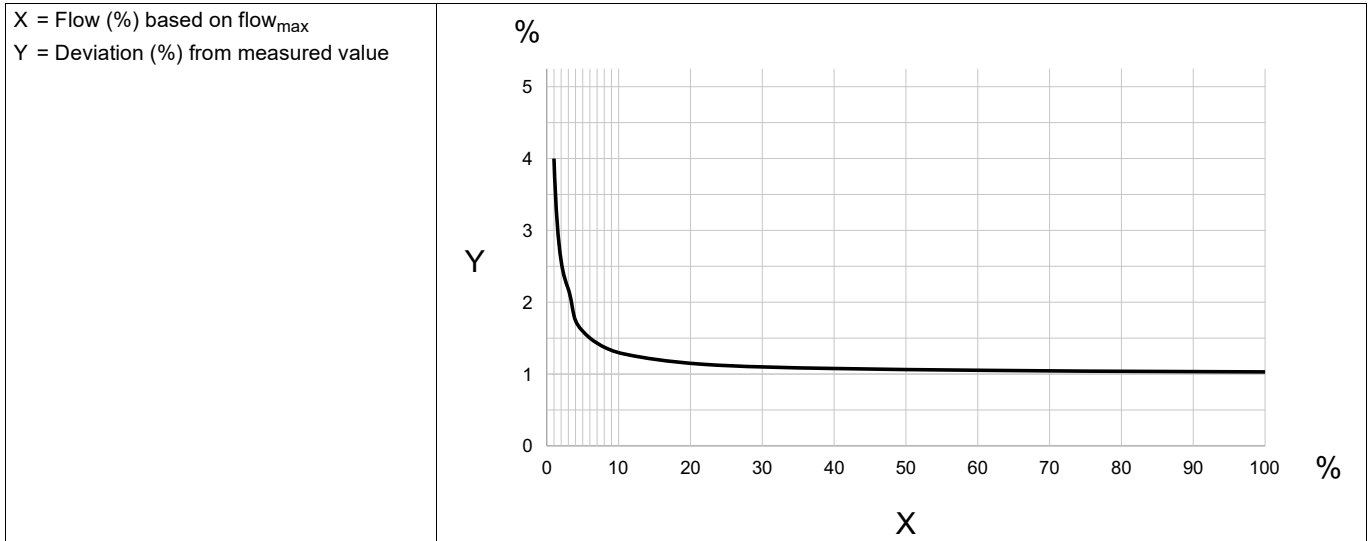
**Flow**

Flow <sub>max</sub>	
DN 15 (Low-flow calibration)	60 l/min
DN 15	80 l/min
DN 20	210 l/min
DN 25	320 l/min
DN 32	520 l/min
Accuracy <sup>a</sup>	
Pulse output	≤ ±1.0% of the measured value ±0.03% of flow <sub>max</sub>
Current output	Like pulse output, additionally ≤ ±0.1% of 16 mA
Voltage output	Like pulse output, additionally ≤ ±0.1% of 10 V
Reproducibility	≤ ±0.5% of measured value ±0.03% of flow <sub>max</sub>
Temperature drift	≤ ±0.05% of measured value per 10 K temperature change (at -20 to +80 °C)
Response time t <sub>90</sub>	≤ 2 s
Reference conditions	
Measurement medium	Water
Medium temperature	23 °C (73 °F) ±5 K
Ambient temperature	23 °C (73 °F) ±5 K
Medium pressure	1 to 4 bar
Measuring tube	Horizontal installation, compliance with the required inlet and outlet sections

**JUMO GmbH & Co. KG**  
 Delivery address: Mackenrodtstraße 14  
 36039 Fulda, Germany  
 Postal address: 36035 Fulda, Germany  
 Phone: +49 661 6003-0  
 Fax: +49 661 6003-607  
 Email: mail@jumo.net  
 Internet: www.jumo.net

**JUMO UK LTD**  
 JUMO House  
 Temple Bank, Riverway  
 Harlow, Essex, CM20 2DY, UK  
 Phone: +44 1279 63 55 33  
 Fax: +44 1279 62 50 29  
 Email: sales@jumo.co.uk  
 Internet: www.jumo.co.uk

**JUMO Process Control, Inc.**  
 6724 Joy Road  
 East Syracuse, NY 13057, USA  
 Phone: +1 315 437 5866  
 Fax: +1 315 437 5860  
 Email: info.us@jumo.net  
 Internet: www.jumousa.com



<sup>a</sup> Under reference conditions.

**Temperature**

Measuring range	-40 to +125 °C
Accuracy	±2 K

**Pressure (optional)**

Measuring range DN 15, DN 20, DN 25 DN 32	-1 to +16 bar relative pressure -1 to +10 bar relative pressure
Accuracy At 20 °C <sup>a</sup> At -20 to +100 °C <sup>c</sup>	±0.4% MSP <sup>b</sup> ±1% MSP

<sup>a</sup> Includes: linearity, hysteresis, repeatability, deviation of measuring range initial value, and measuring range end value.

<sup>b</sup> MSP = measuring span.

<sup>c</sup> Includes: linearity, hysteresis, repeatability, deviation of measuring range initial value, and measuring range end value, thermal effect on measuring range start and measuring span.

**Digital inputs**

**Device with IO-Link**

Function	Reset totalizer, start/stop batch, measured value suppression
Type	Logic input (external voltage supply)
Switching voltage V <sub>DI</sub>	DC -30 V ≤ V <sub>DI</sub> ≤ +30 V
Protection	Against polarity and voltage peaks
Internal resistance	> 100 kΩ
Switching thresholds	PLC level: logic level "0" < 7 V, logic level "1" > 15 V

**JUMO GmbH & Co. KG**  
 Delivery address: Mackenrodtstraße 14  
 36039 Fulda, Germany  
 Postal address: 36035 Fulda, Germany  
 Phone: +49 661 6003-0  
 Fax: +49 661 6003-607  
 Email: mail@jumo.net  
 Internet: www.jumo.net

**JUMO UK LTD**  
 JUMO House  
 Temple Bank, Riverway  
 Harlow, Essex, CM20 2DY, UK  
 Phone: +44 1279 63 55 33  
 Fax: +44 1279 62 50 29  
 Email: sales@jumo.co.uk  
 Internet: www.jumo.co.uk

**JUMO Process Control, Inc.**  
 6724 Joy Road  
 East Syracuse, NY 13057, USA  
 Phone: +1 315 437 5866  
 Fax: +1 315 437 5860  
 Email: info.us@jumo.net  
 Internet: www.jumousa.com



## Outputs

### Analog outputs

#### Device with IO-Link

Current output	
Function	Output of the flow process values, temperature or pressure (optional), output of a signal for error message
Signal range	4 to 20 mA
Signal limits	3.8 to 20.5 mA
Error message	3.4 or 22 mA
Temperature influence	75 ppm/K
Burden	≤ 500 Ω
Burden influence	≤ ±0.02% per 100 Ω
Voltage output	
Function	Output of the flow process values, temperature or pressure (optional), output of a signal for error message
Signal range	DC 0 to 10 V
Signal limits	DC 0 to 10.3 V
Error message	DC 0 or 11 V
Temperature influence	75 ppm/K
Load	≥ 2000 Ω
Load influence	≤ ±15 mV

### Digital outputs

#### Device with IO-Link

Type	Transistor output as switching output or pulse output (I/O pin 1 only)
Protection	Against polarity reversal, short circuiting and overload
Output signal	Push-pull, PNP, NPN
Ampacity	≤ 200 mA
Voltage drop	≤ 3 V
Switching output	
Function	Limit value monitoring function
Input signal	Flow, temperature or pressure (optional)
Output signal	Limit value switch, batch active, batch error, device error
Switch-on and switch-off delay	0 to 100 s
Limit value function	Hysteresis (NO contact/NC contact), window (NO contact/NC contact), switch-on and switch-off delay
Switching point	Configurable
Pulse output	
Function	Output of the flow process value
Pulse frequency	0 to 10 kHz
Duty cycle	50 %
Output value at nominal width <sup>a</sup>	Pulses per liter (l)
DN 15 (low-flow calibration)	10000
DN 15	4800
DN 20	2850
DN 25	1875
DN 32	1150

<sup>a</sup> Default setting (configurable).

**JUMO GmbH & Co. KG**  
 Delivery address: Mackenrodtstraße 14  
 36039 Fulda, Germany  
 Postal address: 36035 Fulda, Germany  
 Phone: +49 661 6003-0  
 Fax: +49 661 6003-607  
 Email: mail@jumo.net  
 Internet: www.jumo.net

**JUMO UK LTD**  
 JUMO House  
 Temple Bank, Riverway  
 Harlow, Essex, CM20 2DY, UK  
 Phone: +44 1279 63 55 33  
 Fax: +44 1279 62 50 29  
 Email: sales@jumo.co.uk  
 Internet: www.jumo.co.uk

**JUMO Process Control, Inc.**  
 6724 Joy Road  
 East Syracuse, NY 13057, USA  
 Phone: +1 315 437 5866  
 Fax: +1 315 437 5860  
 Email: info.us@jumo.net  
 Internet: www.jumousa.com



## Interfaces

### Bluetooth

Function	Transfer of configuration data and device information, display of process values
Communication	Via end device with JUMO smartCONNECT app
Authentication	Via Bluetooth® radio module and NFC tag
Connection status (configurable)	
Permanently	Active
Temporarily	Restricted (via NFC)
Range	10 m under reference conditions
Radio frequency	
Bluetooth® radio module	2.4 GHz
NFC tag	13.56 MHz
Max. transmission power	
Bluetooth® radio module	0 dBm
NFC tag	–
JUMO smartCONNECT app	
System requirements	
iOS device	iPhone 7 or later (recommended) with iOS 13
Android device	Android 8.0 or later

### IO-Link

Function	Transfer of process data, configuration data and device information, displaying of process values
Communication	Via end device with IO-Link master and device description file (IODD)
Communication interface	IO-Link device V 1.1
Data transfer rate (baud rate)	COM 3 (230.4 kBaud)
Cycle time	≥ 5 ms
Profile	Common Profile, Smart Sensor Profile

### RS485

Function	Transfer of process data, configuration data, and device information
Communication	Via end device with JUMO DSM software, Modbus master, PLC
Data transmission	Serial
Transmission protocol	JUMO digiLine Modbus RTU
Data format	8 - 1 - no parity 8 - 1 - odd parity 8 - 1 - even parity 8 - 2 - no parity
Data transmission rate	9600 baud 19200 baud 38400 baud
Min. response time	0 to 500 ms
Device address	1 to 247

**JUMO GmbH & Co. KG**  
 Delivery address: Mackenrodtstraße 14  
 36039 Fulda, Germany  
 Postal address: 36035 Fulda, Germany  
 Phone: +49 661 6003-0  
 Fax: +49 661 6003-607  
 Email: mail@jumo.net  
 Internet: www.jumo.net

**JUMO UK LTD**  
 JUMO House  
 Temple Bank, Riverway  
 Harlow, Essex, CM20 2DY, UK  
 Phone: +44 1279 63 55 33  
 Fax: +44 1279 62 50 29  
 Email: sales@jumo.co.uk  
 Internet: www.jumo.co.uk

**JUMO Process Control, Inc.**  
 6724 Joy Road  
 East Syracuse, NY 13057, USA  
 Phone: +1 315 437 5866  
 Fax: +1 315 437 5860  
 Email: info.us@jumo.net  
 Internet: www.jumousa.com



## Display

Type	TFT display
Size	
Display range	35.04 × 28.03 mm
Screen size (diagonal)	1.77"
Resolution	128 × 160 RGB
Brightness	15 levels active + 1 level inactive (configurable)
Rotation	0°, 90°, 180°, 270° (configurable)

## Environmental influences

The product is UL-approved. The approval stipulates that the product may be used indoors only.

Admissible ambient temperature	DIN 60068-2-1, DIN 60068-2-2
At medium temperature ≤ 50 °C	-20 to +50 °C
At medium temperature ≤ 80 °C <sup>a</sup>	-20 to +60 °C
At medium temperature > 80 °C <sup>a</sup>	-20 to +45 °C
Admissible storage temperature	-20 to +60 °C
Climatic conditions	DIN EN 60721-3-1, DIN EN 60721-3-3, DIN EN 60068-2-78
Climate class	3K6
Air temperature	-20 to +55 °C
Relative humidity	≤ 100 % – Condensation on device outer shell
Protection type	DIN EN 60529, EN 50102 IP65, IP67
Electromagnetic compatibility (EMC)	DIN EN 61326-2-3:2022
Interference emission	Class B <sup>b</sup>
Interference immunity	Industrial requirements
Oscillation	DIN EN 60068-2-6
Amplitude	0,35 mm at 10 to 2000 Hz
Acceleration	5 g at 10 to 2000 Hz
Shock	DIN EN 60068-2-27
Peak acceleration	20 g
Shock duration	11 ms
Pressure Equipment Directive	2014/68/EU
Group 1 fluids - DN ≤ 25	Sound engineering practice acc. to Art. 4, para. 3 i. c. w. Art. 4 para. 1c.i
Group 2 fluids - DN ≤ 32	Sound engineering practice acc. to Art. 4, para. 3 i. c. w. Art. 4 para. 1c.i
Group 1 fluids	Sound engineering practice acc. to Art. 4, para. 3 i. c. w. Art. 4 para. 1c.ii

<sup>a</sup> Without UL approval.

<sup>b</sup> The product is suitable for industrial use as well as for households and small businesses.

**JUMO GmbH & Co. KG**  
 Delivery address: Mackenrodtstraße 14  
 36039 Fulda, Germany  
 Postal address: 36035 Fulda, Germany  
 Phone: +49 661 6003-0  
 Fax: +49 661 6003-607  
 Email: mail@jumo.net  
 Internet: www.jumo.net

**JUMO UK LTD**  
 JUMO House  
 Temple Bank, Riverway  
 Harlow, Essex, CM20 2DY, UK  
 Phone: +44 1279 63 55 33  
 Fax: +44 1279 62 50 29  
 Email: sales@jumo.co.uk  
 Internet: www.jumo.co.uk

**JUMO Process Control, Inc.**  
 6724 Joy Road  
 East Syracuse, NY 13057, USA  
 Phone: +1 315 437 5866  
 Fax: +1 315 437 5860  
 Email: info.us@jumo.net  
 Internet: www.jumousa.com



## Mechanical features

### Device

Weight <sup>a</sup> Without screw connection	≥ 215 to ≤ 385 g
---	------------------

<sup>a</sup> Depends on version and DN.

### Materials

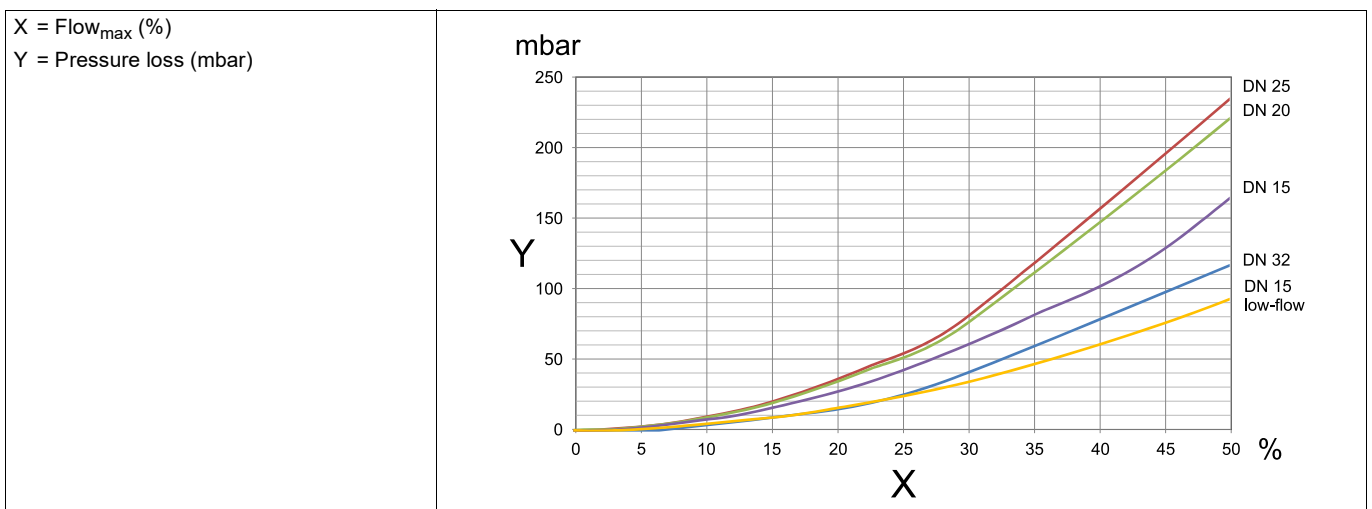
Housing	PA66-GF25
Display cover	PMMA
Components in contact with the medium Measuring tube Transducer Seals Process connection, transducer	PPSU PEEK EPDM or FKM (optionally)
Approvals Components in contact with the medium	Drinking water certified materials (when using EPDM seals)

### Nominal pressure

Nominal pressure level DN 15, DN 20, DN 25 DN 32	PN 16 PN 10
--	----------------

### Pressure loss diagram

Created under reference conditions ⇒ Page 3.





**JUMO GmbH & Co. KG**  
 Delivery address: Mackenrodtstraße 14  
 36039 Fulda, Germany  
 Postal address: 36035 Fulda, Germany  
 Phone: +49 661 6003-0  
 Fax: +49 661 6003-607  
 Email: mail@jumo.net  
 Internet: www.jumo.net

**JUMO UK LTD**  
 JUMO House  
 Temple Bank, Riverway  
 Harlow, Essex, CM20 2DY, UK  
 Phone: +44 1279 63 55 33  
 Fax: +44 1279 62 50 29  
 Email: sales@jumo.co.uk  
 Internet: www.jumo.co.uk

**JUMO Process Control, Inc.**  
 6724 Joy Road  
 East Syracuse, NY 13057, USA  
 Phone: +1 315 437 5866  
 Fax: +1 315 437 5860  
 Email: info.us@jumo.net  
 Internet: www.jumousa.com



## Measurement media

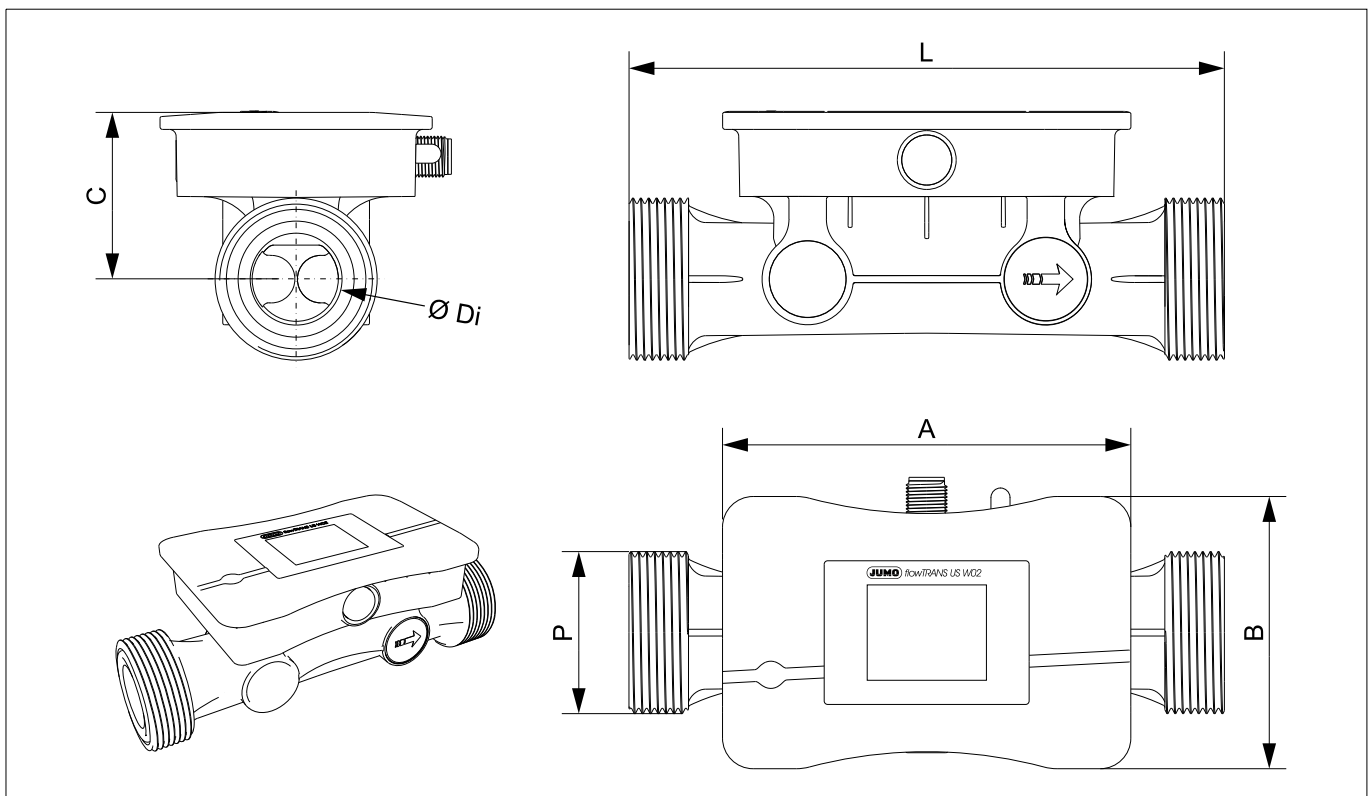
Medium type	Conductive or non-conductive liquids
Viscosity	≤ 100 mPas
Foreign matter content	
Solids	≤ 5 % vol ≤ 1 % vol
Medium temperature	
Temperature range	-20 to +95 °C
Within the accuracy	-20 to +50 °C
Within the accuracy <sup>a</sup>	-20 to +80 °C
Outside of the accuracy <sup>a, b</sup>	> 80 to 95 °C

<sup>a</sup> Without UL approval.

<sup>b</sup> Return to the accuracy after cooling down.

## Dimensions

### Device



Nominal width	Ø Di [mm]	P	A [mm]	B [mm]	C [mm]	L [mm]
DN 15	16.5	G 1	120	80	43.5	155
DN 20	21.5	G 1 1/4			46	165
DN 25	27	G 1 1/2			49	175
DN 32	34	G 2			52.5	185

**JUMO GmbH & Co. KG**  
 Delivery address: Mackenrodtstraße 14  
 36039 Fulda, Germany  
 Postal address: 36035 Fulda, Germany  
 Phone: +49 661 6003-0  
 Fax: +49 661 6003-607  
 Email: mail@jumo.net  
 Internet: www.jumo.net

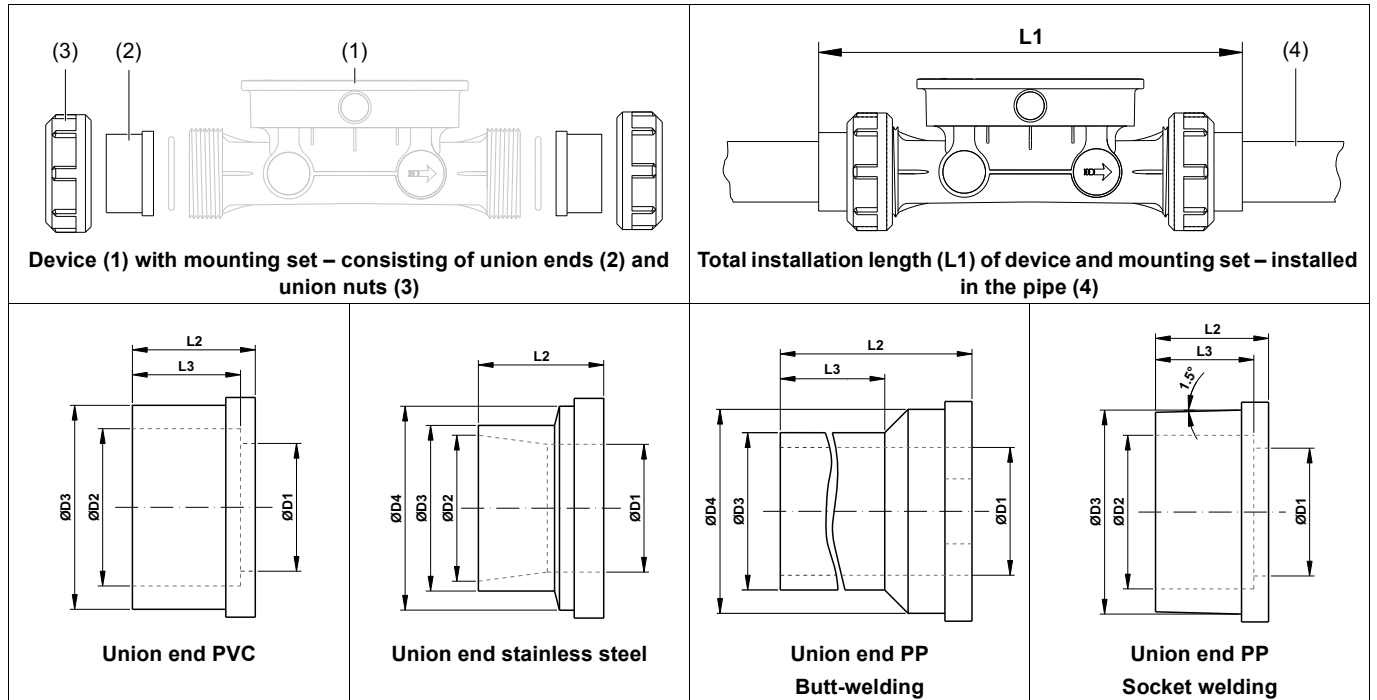
**JUMO UK LTD**  
 JUMO House  
 Temple Bank, Riverway  
 Harlow, Essex, CM20 2DY, UK  
 Phone: +44 1279 63 55 33  
 Fax: +44 1279 62 50 29  
 Email: sales@jumo.co.uk  
 Internet: www.jumo.co.uk

**JUMO Process Control, Inc.**  
 6724 Joy Road  
 East Syracuse, NY 13057, USA  
 Phone: +1 315 437 5866  
 Fax: +1 315 437 5860  
 Email: info.us@jumo.net  
 Internet: www.jumousa.com



**Accessories**

**Mounting sets**



Nominal width	ØD1 [mm]	ØD2 [mm]	ØD3 [mm]	ØD4 [mm]	L1 [mm]	L2 [mm]	L3 [mm]
<b>Union end PVC</b>							
DN 15 to DN 10	10.5	16	23.5	27.5	203	24	16
DN 15	15	20	27.5	-	198	19	16
DN 20	22	25	36	-	209	22	19
DN 25	26	32	41.5	-	225	25	22
DN 32	33	40	53	-	243	29	26
<b>Union end stainless steel</b>							
DN 15 to DN 10	10.5	16	23.5	27.5	203	24	16
DN 15	15	17.3	21.3	27.5	203	21.5	-
DN 20	22	22.9	26.9	36	210	22.5	-
DN 25	26	29.7	33.7	41.5	226	25.5	-
DN 32	33	38.4	42.4	53	236	25.5	-
<b>Union end PP butt-welding</b>							
DN 15	15/16.2	-	20	27.5	266	53	37.75
DN 20	19.8	-	25	36	277.8	56.4	38.6
DN 25	26	-	32	41.5	293	59	41.25
DN 32	32.6	-	40	53	310.6	62.8	41.8
<b>Union end PP socket-welding</b>							
DN 15	17	19.35	27.5	-	198	19	16
DN 20	21	24.3	36	-	207	21	18
DN 25	26	31.25	41.5	-	221	23	20
DN 32	33	39.2	53	-	235	25	22

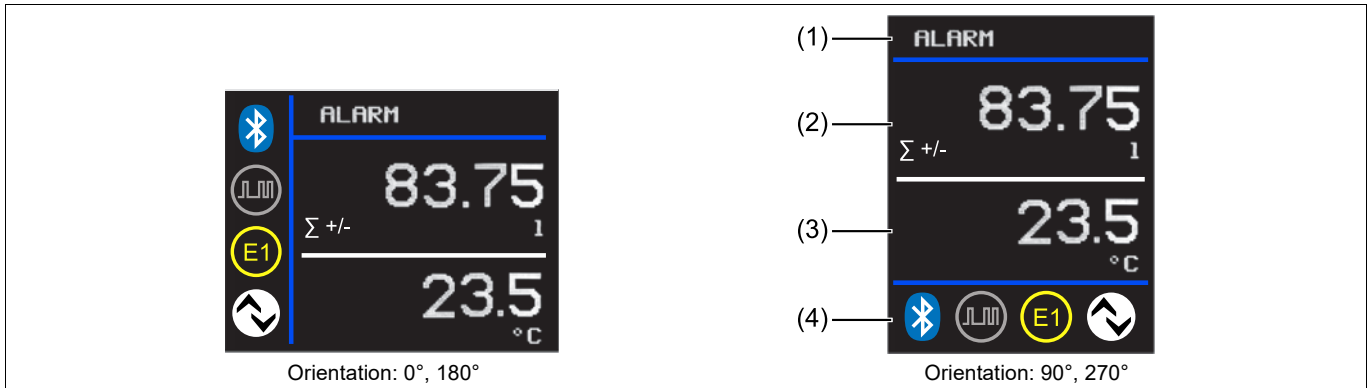
**JUMO GmbH & Co. KG**  
 Delivery address: Mackenrodtstraße 14  
 36039 Fulda, Germany  
 Postal address: 36035 Fulda, Germany  
 Phone: +49 661 6003-0  
 Fax: +49 661 6003-607  
 Email: mail@jumo.net  
 Internet: www.jumo.net

**JUMO UK LTD**  
 JUMO House  
 Temple Bank, Riverway  
 Harlow, Essex, CM20 2DY, UK  
 Phone: +44 1279 63 55 33  
 Fax: +44 1279 62 50 29  
 Email: sales@jumo.co.uk  
 Internet: www.jumo.co.uk

**JUMO Process Control, Inc.**  
 6724 Joy Road  
 East Syracuse, NY 13057, USA  
 Phone: +1 315 437 5866  
 Fax: +1 315 437 5860  
 Email: info.us@jumo.net  
 Internet: www.jumousa.com



## Display elements



Pos.	Designation	Description
1	<b>Status bar</b>	Shows information about the device status.
2, 3	<b>Process value display 1, Process value display 2</b>	Show the following values and messages: <ul style="list-style-type: none"> <li>• Both configured process values (actual values)</li> <li>• The process value system units</li> <li>• The totalizer for the totalizer function</li> <li>• The fill volume or residual volume for the batch function</li> <li>• Error messages</li> </ul>
4	<b>Toolbar</b>	Shows: <ul style="list-style-type: none"> <li>• The configuration and status of I/O Pin 1 and I/O Pin 2</li> <li>• The configuration and status of the interface connections</li> </ul>

**JUMO GmbH & Co. KG**  
 Delivery address: Mackenrodtstraße 14  
 36039 Fulda, Germany  
 Postal address: 36035 Fulda, Germany  
 Phone: +49 661 6003-0  
 Fax: +49 661 6003-607  
 Email: mail@jumo.net  
 Internet: www.jumo.net

**JUMO UK LTD**  
 JUMO House  
 Temple Bank, Riverway  
 Harlow, Essex, CM20 2DY, UK  
 Phone: +44 1279 63 55 33  
 Fax: +44 1279 62 50 29  
 Email: sales@jumo.co.uk  
 Internet: www.jumo.co.uk

**JUMO Process Control, Inc.**  
 6724 Joy Road  
 East Syracuse, NY 13057, USA  
 Phone: +1 315 437 5866  
 Fax: +1 315 437 5860  
 Email: info.us@jumo.net  
 Internet: www.jumousa.com



## Installation notes

The installation instructions in the data sheet provide preliminary information on installing the device.

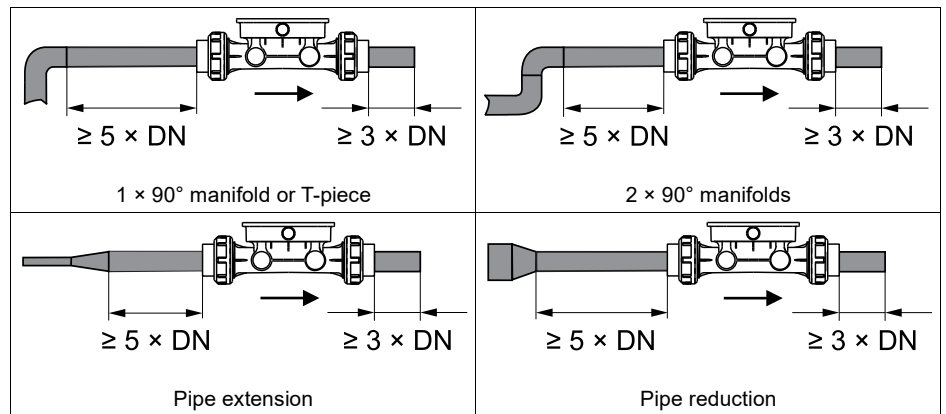
**For the mechanical connection, only use the installation instructions or the operating manual.**

### Inlet and outlet sections

To ensure measurement accuracy, longer inlet and outlet distances may be required depending on the application.

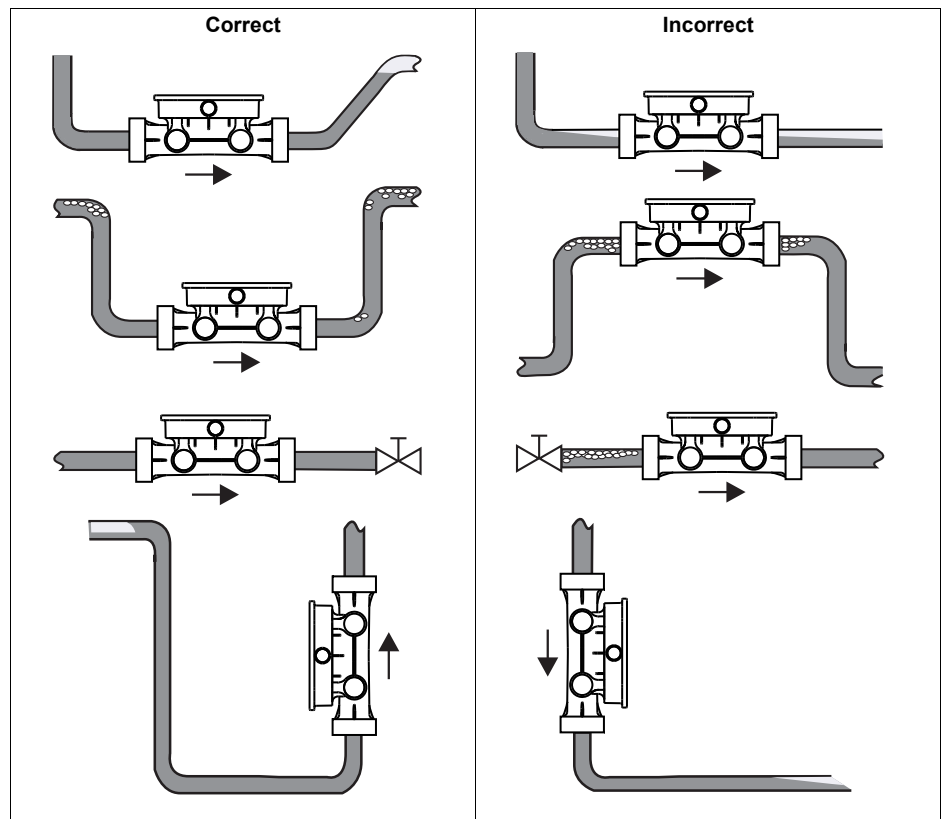
DN = Nominal pipe width

→ = Flow direction



### Installation position

→ = Flow direction



**JUMO GmbH & Co. KG**  
 Delivery address: Mackenrodtstraße 14  
 36039 Fulda, Germany  
 Postal address: 36035 Fulda, Germany  
 Phone: +49 661 6003-0  
 Fax: +49 661 6003-607  
 Email: mail@jumo.net  
 Internet: www.jumo.net

**JUMO UK LTD**  
 JUMO House  
 Temple Bank, Riverway  
 Harlow, Essex, CM20 2DY, UK  
 Phone: +44 1279 63 55 33  
 Fax: +44 1279 62 50 29  
 Email: sales@jumo.co.uk  
 Internet: www.jumo.co.uk

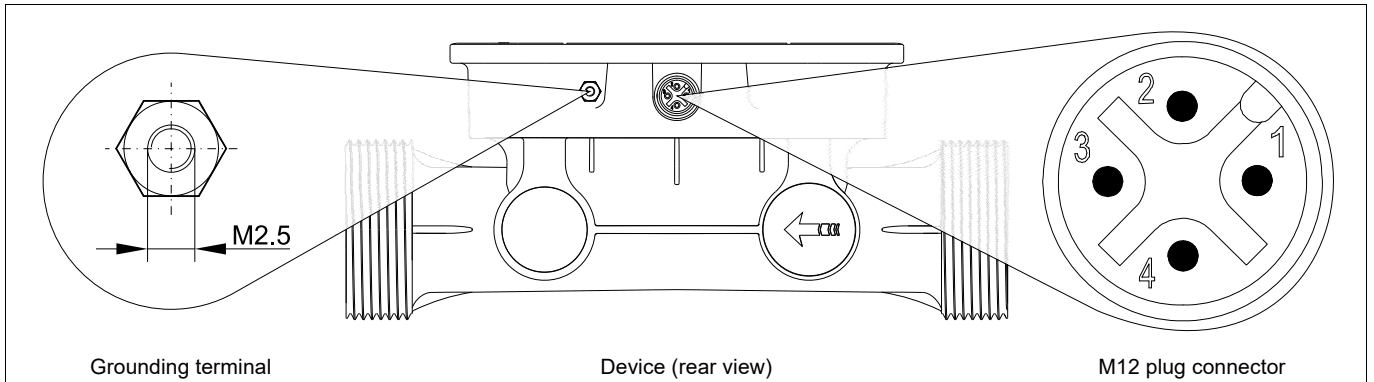
**JUMO Process Control, Inc.**  
 6724 Joy Road  
 East Syracuse, NY 13057, USA  
 Phone: +1 315 437 5866  
 Fax: +1 315 437 5860  
 Email: info.us@jumo.net  
 Internet: www.jumousa.com



## Connection elements

The connection elements in the data sheet provide information on product selection.

**For the electrical connection, only use the installation instructions or the operating manual.**



## Terminal assignment

### M12 plug connection

Designation	Description	Assignment		
IO-Link	DC 24 V	1 BN (Brown)		
	I/O-Pin 2 <sup>a</sup>	2 WH (White)		
	GND	3 BU (Blue)		
	IO-Link, I/O-Pin 1 <sup>b</sup>	4 BK (Black)		

<sup>a</sup> Configurable as: Digital input, digital output, analog output.

<sup>b</sup> Configurable as: IO-Link, digital output, analog output.

Designation	Description	Assignment		
RS485	DC 5 V	1 BN (Brown)		
	DC 24 V	2 WH (White)		
	GND	3 BU (Blue)		
	RS485 (Rx/D/TxD-)	4 BK (Black)		
	RS485 (Rx/D/TxD+)	5 GY (Grey)		

**JUMO GmbH & Co. KG**  
 Delivery address: Mackenrodtstraße 14  
 36039 Fulda, Germany  
 Postal address: 36035 Fulda, Germany  
 Phone: +49 661 6003-0  
 Fax: +49 661 6003-607  
 Email: mail@jumo.net  
 Internet: www.jumo.net

**JUMO UK LTD**  
 JUMO House  
 Temple Bank, Riverway  
 Harlow, Essex, CM20 2DY, UK  
 Phone: +44 1279 63 55 33  
 Fax: +44 1279 62 50 29  
 Email: sales@jumo.co.uk  
 Internet: www.jumo.co.uk

**JUMO Process Control, Inc.**  
 6724 Joy Road  
 East Syracuse, NY 13057, USA  
 Phone: +1 315 437 5866  
 Fax: +1 315 437 5860  
 Email: info.us@jumo.net  
 Internet: www.jumousa.com



## Order details

	<b>(1) Basic type</b>
406051	JUMO flowTRANS US W02
	<b>(2) Basic type extension</b>
000	None
	<b>(3) Nominal width</b>
0015	DN 15 (1/2")
0020	DN 20 (3/4")
0025	DN 25 (1")
0032	DN 32 (1 1/4")
	<b>(4) Material measuring tube</b>
121	PPSU
	<b>(5) Process connection</b>
32	External thread ISO 228
	<b>(6) Material seals measuring tube</b>
58	EPDM
	<b>(7) Calibration</b>
01	Standard
02	Low flow
	<b>(8) Material housing</b>
85	Plastic
	<b>(9) Display/Operation</b>
01	Display and Bluetooth
	<b>(10) Signal inputs and outputs</b>
10	digiLine (in preparation)
11	IO-Link (2 configurable: IO-Link/digital output/analog output + digital/ analog output/digital input; default: IO-Link/digital output)
	<b>(11) Additional sensor</b>
000	None
472	Pressure sensor -1 to +10 bar rel. <sup>a</sup>
434	Pressure sensor -1 to +16 bar rel. <sup>b</sup>

<sup>a</sup> Only for DN 32, up from 6 pieces/DN also available for DN 15, DN 20, DN 25.

<sup>b</sup> Only for DN 15, DN 20, DN 25.

<b>Order code</b>	(1)	(2)	(3)	(4)	(5)	(6)	(7)	(8)	(9)	(10)	(11)										
<b>Order example</b>	406051	/	000	-	0015	-	121	-	32	-	58	-	01	-	85	-	01	-	11	-	000

## Scope of delivery

Device in the ordered version
Calibration certificate
Brief instructions
2 O-rings (seal for the process connection) in the ordered version

**JUMO GmbH & Co. KG**  
 Delivery address: Mackenrodtstraße 14  
 36039 Fulda, Germany  
 Postal address: 36035 Fulda, Germany  
 Phone: +49 661 6003-0  
 Fax: +49 661 6003-607  
 Email: mail@jumo.net  
 Internet: www.jumo.net

**JUMO UK LTD**  
 JUMO House  
 Temple Bank, Riverway  
 Harlow, Essex, CM20 2DY, UK  
 Phone: +44 1279 63 55 33  
 Fax: +44 1279 62 50 29  
 Email: sales@jumo.co.uk  
 Internet: www.jumo.co.uk

**JUMO Process Control, Inc.**  
 6724 Joy Road  
 East Syracuse, NY 13057, USA  
 Phone: +1 315 437 5866  
 Fax: +1 315 437 5860  
 Email: info.us@jumo.net  
 Internet: www.jumousa.com



## Accessories

### Without UL approval

Designation	Part no.
Mounting set PVC, DN 10 with PP nut	00750869
Mounting set PVC, DN 15 with PP nut	00750871
Mounting set PVC, DN 20 with PP nut	00750872
Mounting set PVC, DN 25 with PP nut	00750874
Mounting set PVC, DN 32 with PP nut	00750876
Mounting set PP, socket welding DN 15	00750888
Mounting set PP, socket welding DN 20	00750890
Mounting set PP, socket welding DN 25	00750927
Mounting set PP, socket welding DN 32	00750926
Mounting set PP, butt welding DN 15	00750878
Mounting set PP, butt welding DN 20	00750881
Mounting set PP, butt welding DN 25	00750884
Mounting set PP, butt welding DN 32	00750887
Mounting set stainless steel, DN 10 with PP nut	00750924
Mounting set stainless steel, DN 15 with PP nut	00750923
Mounting set stainless steel, DN 20 with PP nut	00750920
Mounting set stainless steel, DN 25 with PP nut	00750919
Mounting set stainless steel, DN 32 with PP nut	00750918
JUMO smartCONNECT (App)	00770436
IO-Link master, 1-channel (TMG Device Tool), including mini USB cable for use with Windows® PC	00694070
Line socket, 4-pole, M12 × 1, straight, length 2 m	00404585
Line socket, 4-pole, M12 × 1, angled, length 2 m	00409334

### With UL approval

Designation	Part no.
IO-Link master, 4-channel – TURCK TBEN-S2-4IOL	00759867
IO-Link master, 8-channel – TURCK TBEN-LL-8IOL	00759875
Connection line M8/voltage supply, length 2 m, IO-Link master, 4 channel	00767913
Connection line M12/voltage supply, length 2 m, IO-Link master, 8 channel	00767914
Connection line M8/Ethernet, length 2 m, IO-Link master, 4 channel	00767923
Connection line M12/Ethernet, length 2 m, IO-Link master, 8 channel	00767927
Connection line M12, M12, black, PUR, length 2 m (straight coupling/straight connector; 5 pole; A-coded)	00777804

### Further information and downloads



[qr-406051-en.jumo.info](http://qr-406051-en.jumo.info)